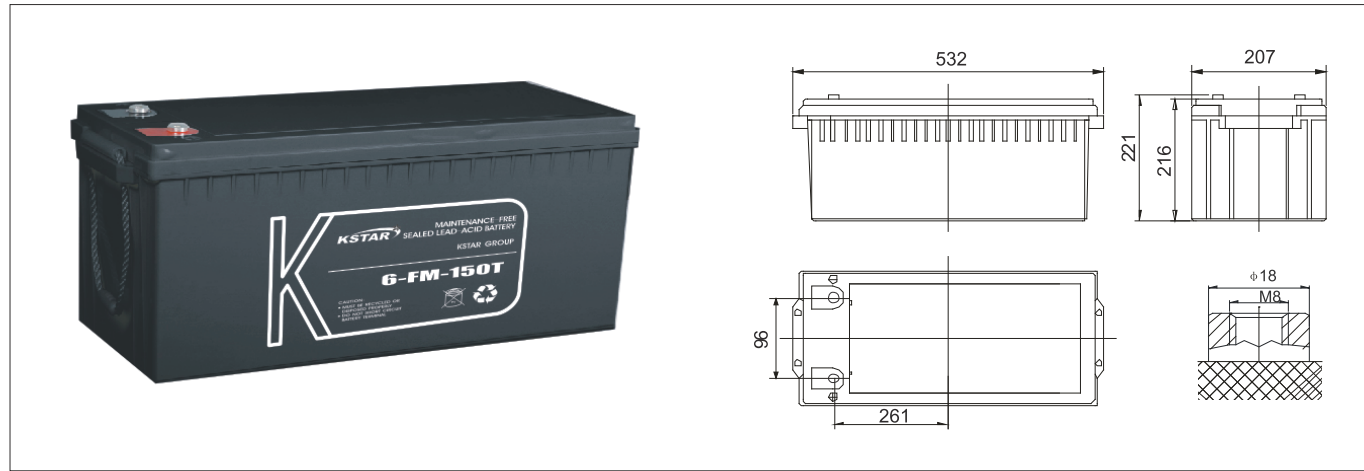


6-FM-150T



SPECIFICATIONS

Nominal Voltage		12V
Rated Capacity(20 hour rate)		150Ah
Dimensions	Total Height (with terminals)	8.70inches (221mm)
	Height	8.50inches (216mm)
	Length	20.94inches (532mm)
	Width	8.15inches (207mm)
Weight		Approx. 106.83pound(48.5kg)

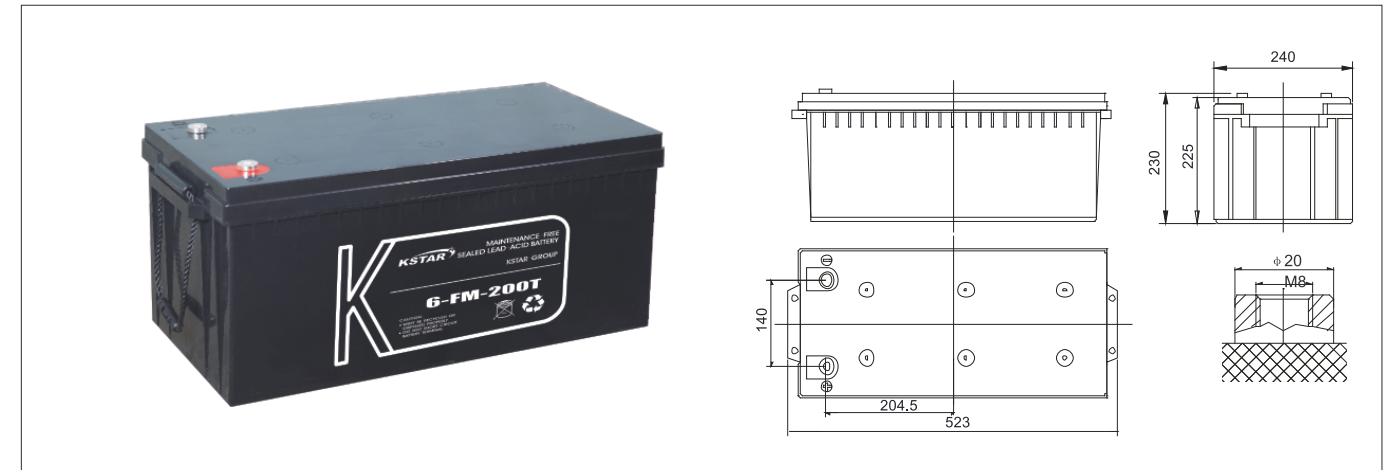
CHARACTERISTICS

Capacity 77°F(25°C)	20 hour rate (7.5A)	150Ah
	10 hour rate (13.8A)	138Ah
Internal Resistance	5 hour rate (24.0A)	120Ah
	1 hour rate (90.0A)	90Ah
Capacity affected by Temperature (20 hour rate)	15 minute Rate (246A)	61.5Ah
	Full charged Battery 77°F(25°C)	3.0mΩ
Self-Discharge 77°F(20°C)	104°F(40°C)	102%
	77°F(25°C)	100%
	32°F(0°C)	85%
	5°F(-15°C)	65%
Max. Discharge Current 77°F(25°C)	Capacity after 3 month storage	91%
	Capacity after 6 month storage	81%
	Capacity after 12 month storage	60%
Terminal	M5	
Charge (Constant Voltage)	Cycle	Initial Charging Current less than 41.4A Voltage 14.4-14.7V/77°F(25°C)
	Float	Voltage 13.5-13.8V/77°F(25°C)

CONSTANT WATTAGE DISCHARGE (WATTS PER CELL@25°C)

Cut off voltage v/cell	1M	5M	10M	15M	30M	45M	1h	2h	3h	5h	8h	10h	12h	24h
1.60	843	821	583	454	286	219	178	106.0	73.7	48.6	33.5	27.8	23.7	12.2
1.65	821	804	576	451	282	217	175	104.0	72.0	48.1	33.4	27.6	23.6	12.1
1.67	811	801	571	450	276	213	172	103.0	71.3	47.8	33.3	27.5	23.5	12.0
1.70	801	757	560	441	247	210	168	102.0	70.4	47.1	33.1	27.2	23.3	11.9
1.75	731	691	519	411	234	208	162	101.0	69.6	46.5	32.5	27.0	23.1	11.8
1.80	660	626	487	391	214	205	159	100.0	68.7	45.2	32.1	26.5	22.9	11.6
1.85	530	501	404	342	208	188	148	95.5	67.8	44.0	29.9	25.2	21.4	11.4

6-FM-200T



SPECIFICATIONS

Nominal Voltage		12V
Rated Capacity(20 hour rate)		200Ah
Dimensions	Total Height (with terminals)	9.06inches (230mm)
	Height	8.86inches (225mm)
	Length	20.59inches (523mm)
	Width	9.45inches (240mm)
Weight		Approx. 128.85pound(58.5kg)

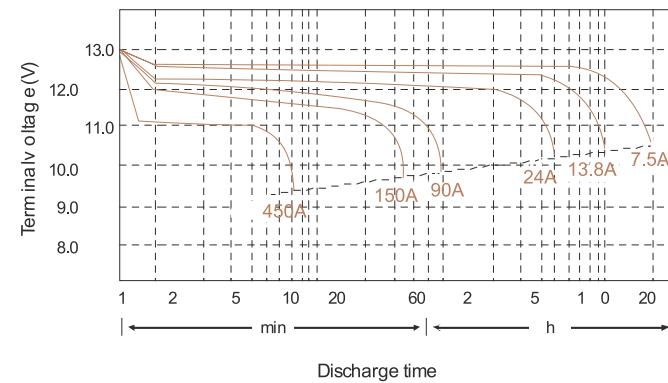
CHARACTERISTICS

Capacity 77°F(25°C)	20 hour rate (10.0A)	200Ah
	10 hour rate (18.4A)	184Ah
Internal Resistance	5 hour rate (32.0A)	160Ah
	1 hour rate (120.0A)	120Ah
Capacity affected by Temperature (20 hour rate)	15 minute Rate (328A)	82.0Ah
	Full charged Battery 77°F(25°C)	3.0mΩ
Self-Discharge 77°F(20°C)	104°F(40°C)	102%
	77°F(25°C)	100%
	32°F(0°C)	85%
	5°F(-15°C)	65%
Max. Discharge Current 77°F(25°C)	Capacity after 3 month storage	91%
	Capacity after 6 month storage	81%
	Capacity after 12 month storage	60%
Terminal	M3	
Charge (Constant Voltage)	Cycle	Initial Charging Current less than 55.2A Voltage 14.4-14.7V/77°F(25°C)
	Float	Voltage 13.5-13.8V/77°F(25°C)

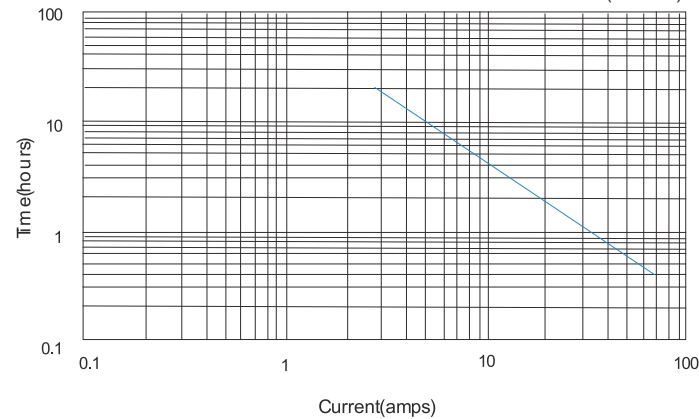
CONSTANT WATTAGE DISCHARGE (WATTS PER CELL@25°C)

Cut off voltage v/cell	1M	5M	10M	15M	30M	45M	1h	2h	3h	5h	8h	10h	12h	24h
1.60V	1124	985	697	545	349	263	231	138.0	95.8	63.2	43.5	37.3	30.8	15.8
1.65V	1096	965	691	541	343	260	228	136.0	94.6	63.0	43.3	36.8	30.6	15.6
1.67V	1082	961	685	540	338	256	223	135.0	94.0	62.8	43.2	36.2	30.5	15.5
1.70V	1068	908	672	529	331	252	219	134.0	93.2	62.6	43.0	36.0	30.3	15.4
1.75V	976	836	629	499	296	250	216	133.0	92.8	62.0	42.5	35.1	30.0	15.3
1.80V	881	751	584	469	281	246	211	130.0	92.1	61.4	41.7	34.4	29.8	15.1
1.85V	707	601	485	410	257	226	207	124.0	89.3	57.2	38.9	32.8	27.8	14.8

DISCHARGE CURVES 77°F(25°C)

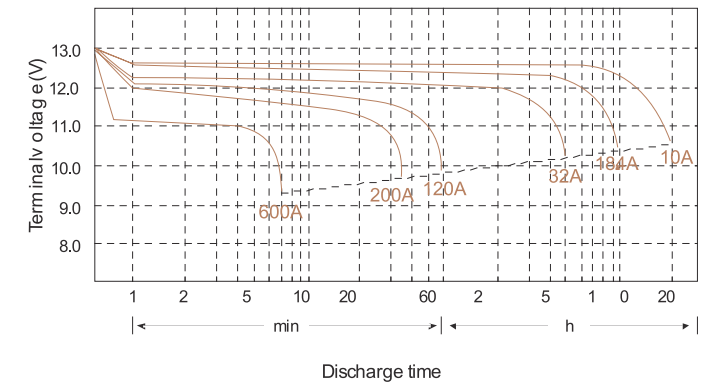


DISCHARGE CURRENT VS. TIME 77°F(25°C)

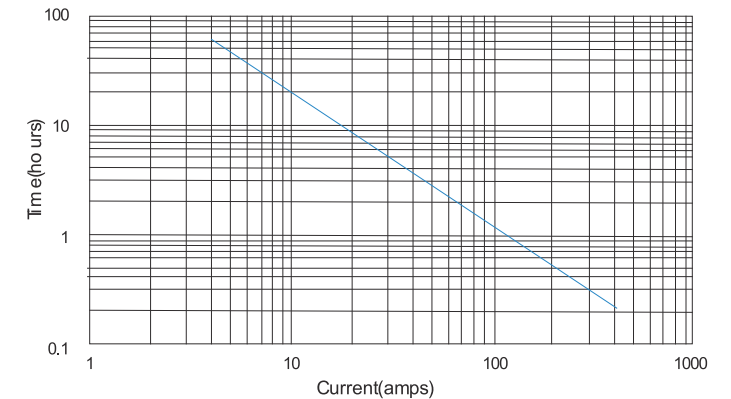


The above data are average values, and can be obtained within 3 charge/discharge cycles. These are not minimum values.

DISCHARGE CURVES 77°F(25°C)



DISCHARGE CURRENT VS. TIME 77°F(25°C)



The above data are average values, and can be obtained within 3 charge/discharge cycles. These are not minimum values.